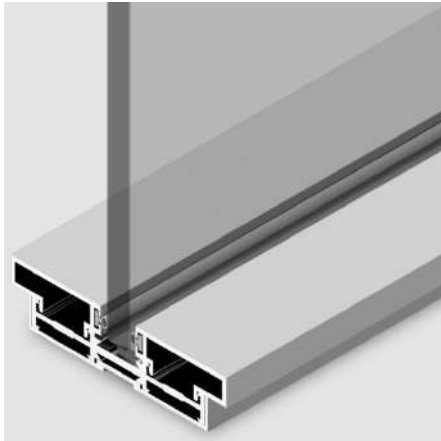


ADOTTA GREEN PLAN

DEMOUNTABLE GLASS PARTITIONS - SUSTAINABILITY PROJECT



METAFORA ORIGINAL PARTITION WALL



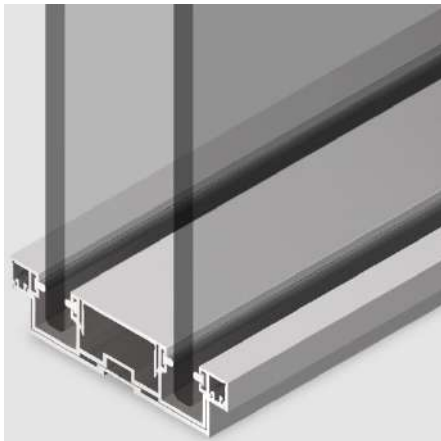
THESIS ESSENTIAL WALL



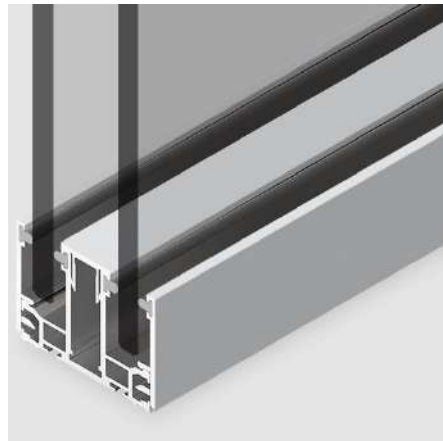
WALLEN WOODEN WALL



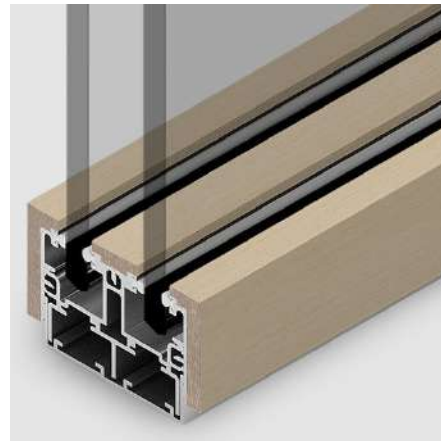
ARMONICA DYNAMIC WALL



METAFORA DUO DOUBLE GLAZED PARTITION WALL



THESIS DUO DOUBLE GLAZED ESSENTIAL WALL



WALLEN DUO DOUBLE GLAZED WOODEN WALL



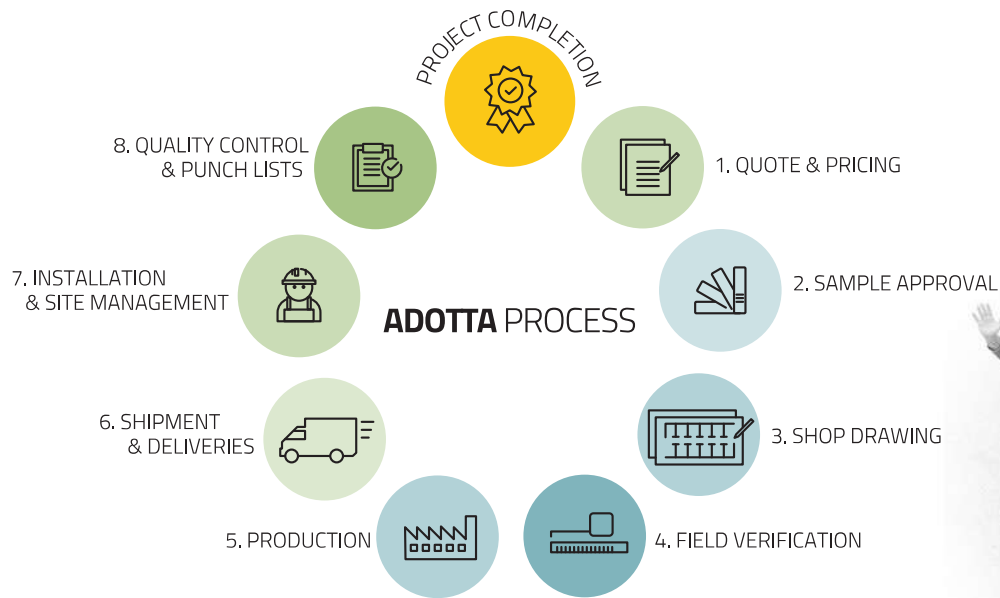
INTEGRA SOLID WALL

PROJECT OBJECTIVES

Measure current performance, identify significant and evolutionary indicators, implement sustainability principles in the products and into ADOTTA processes, identify factors for future development, increase the reputation of the brand.

The project schedule is defined over two year period 2024-2025 in order to study, design and implement concrete actions both on product and management perspective.

The product scope references are based on international standards.



ACTIVITIES IN 2Q/3Q/4Q 2024



1Q/2Q 2025



TARGETS AND GOALS



**MAPPING
PRODUCTS/SERVICES
OF SUSTAINABILITY
REQUIREMENTS ON
THE INTERNATIONAL
DRIVERS OF THE
REFERENCE MARKETS**



**IMPLEMENTATION OF
MANAGEMENT MODELS
CONSISTENT WITH
SUSTAINABILITY
PRINCIPLES AND
DEVELOPMENT OF ISO
CERTIFICATIONS**



**INVOLVEMENT OF THE
SUPPLY CHAIN**



**INTEGRATION OF
SUSTAINABILITY
PRINCIPLES INTO
GOVERNANCE - FIRST
SUSTAINABILITY REPORT**



**IDENTIFICATION OF KPIs
AND INDICATORS FOR
SUSTAINABLE
DEVELOPMENT
STRATEGIES**



**SETTING UP NEW
CIRCULAR ECONOMY
MODELS**



INTEGRATION OF SUSTAINABILITY STRATEGIES AND ENHANCEMENT OF THE ENVIRONMENTAL CONSCIOUSNESS OF THE ADOTTA BRAND.

WE ENHANCE ARCHITECTURE

ADOTTAWALLS.COM

THANKS

ADOTTA AMERICA

500 Nordoff Place - Suite 5
Englewood, NJ 07631 - USA
T 1-833-4-ADOTTA
info@adottawalls.com

ADOTTA CANADA

4181 Blvd. de Portland
Sherbrooke, QC J1L 2Z1 - Canada
T +1 (819) 574-5854
info@adottawalls.com

ADOTTA ITALIA Srl

Vie delle Pastorelle, 10
36016 Thiene (VI) - Italia
T +39 0445 1600 600
info@adottawalls.com

PARIS

NEW YORK

MUNICH

MIAMI

WASHINGTON DC

HOUSTON

LOS ANGELES

ZURICH

MONTREAL

BOSTON

2024-05